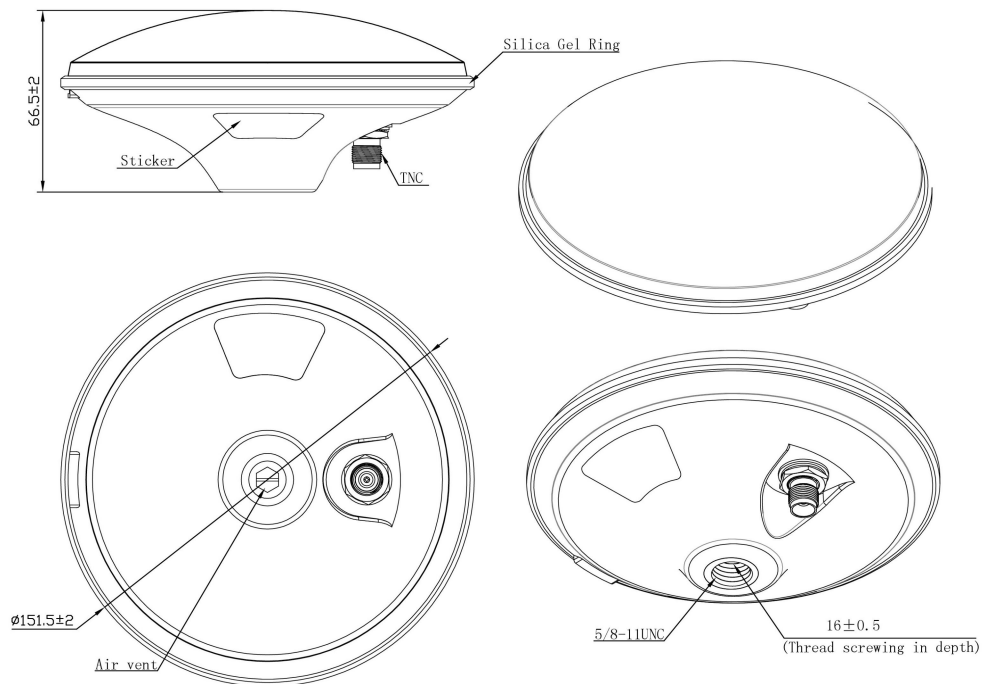


GNSS Surveying Antenna JCA228E



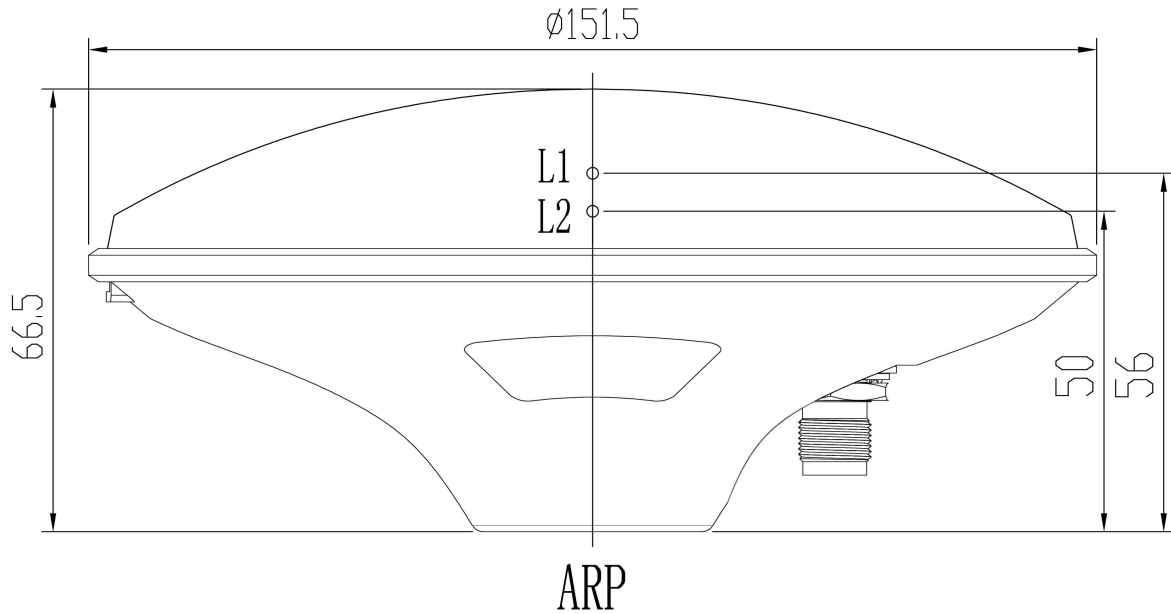
DIMENSIONS



Unit:mm

SPECIFICATIONS

| Item | | Specifications |
|---------------|---------------------------|---|
| Antenna | Frequency | GPS L1/L2/L5 GLONASS G1/G2/G3 COMPASS B1/B2/B3 Galileo E1/L1/E2/E5a/E5b/E6 |
| | Polarization | RHCP |
| | Axial Ratio | $\leq 3\text{dB}$ |
| | V.S.W.R | ≤ 1.5 |
| | Peak Gain | $\geq 5\text{dBi}$ |
| | Impedance | $50\ \Omega$ |
| | Phase Center Error | $\pm 2\text{mm}$ |
| | Horizontal coverage angle | 360° |
| LNA | Gain | $40 \pm 2\text{dB}$ |
| | Noise Figure | $\leq 1.5\text{dB}$ |
| | Passband fluctuation | $\pm 1.5\text{dB}$ |
| | Supply Voltage | 3~12V DC |
| | Current Consumption | $\leq 50\text{mA}$ |
| | V.S.W.R | ≤ 2.0 |
| Mechanical | Connector | TNC-K |
| | Radome Material | ASA |
| | Mounting Method | Screw |
| Environmental | Operating Temperature | $-40^\circ\text{C} \sim +85^\circ\text{C}$ |
| | Relative Humidity | Up to 95% |
| | Ingress Protection | IP67 (exclude Air vent in screw hole) |
| | Environmentally Friendly | ROHS Compliant |

Antenna Reference Point&Phase Center

Mechanical Offsets Units in “mm”