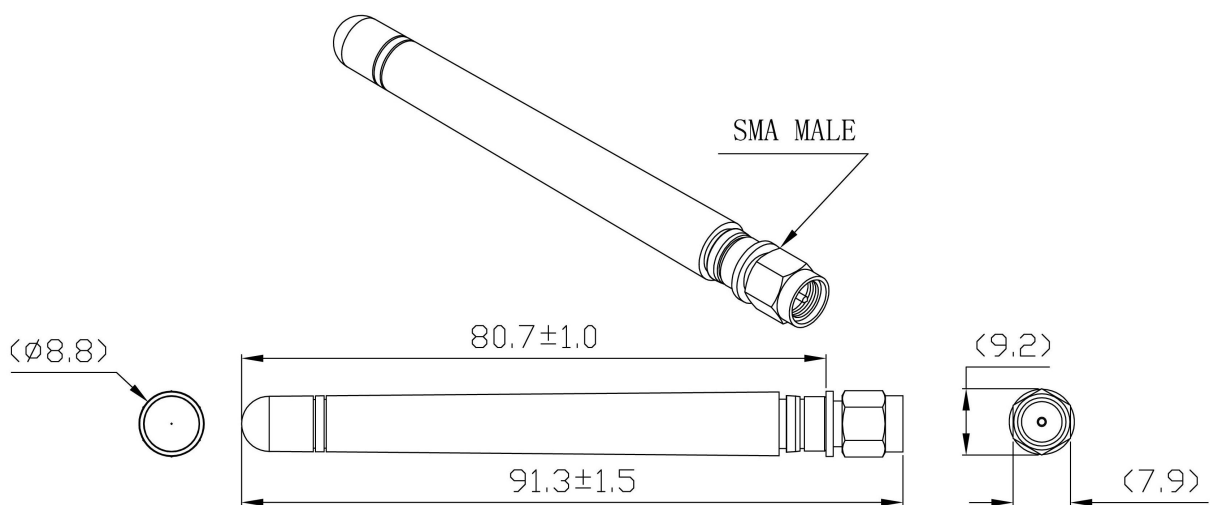


GSM Antenna

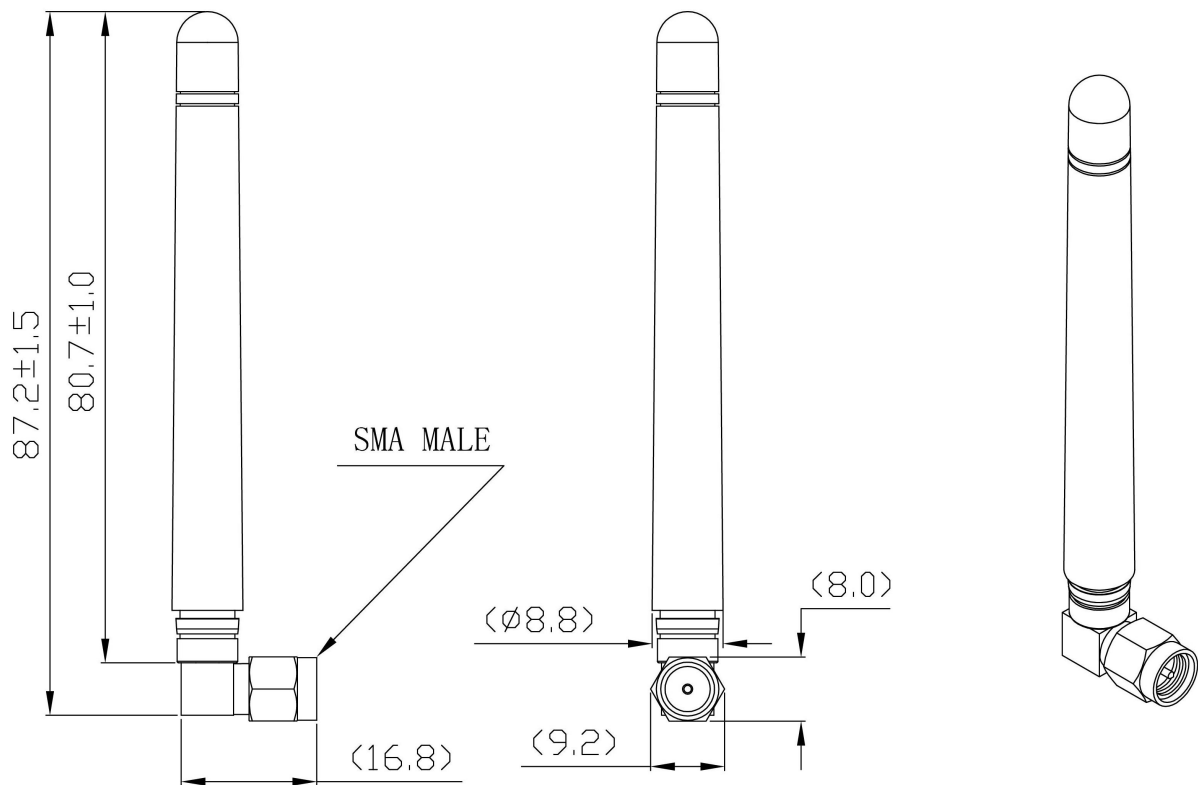
JCG015



DIMENSIONS



UNIT: mm



UNIT : mm

SPECIFICATIONS

Item	Specifications	
Antenna	Frequency Range	824~894/1710~2170MHz or 880~960/1710~2170MHz
	Polarization	Linear
	Gain	2dBi (Zenith)
	V.S.W.R (min)	<math>< 2.5</math>
	Impedance	50 Ω
	Connector	SMA Male
Environmental	Operating Temperature	-40 $^{\circ}$ C~+85 $^{\circ}$ C
	Vibration	10 to 55Hz with 1.5mm amplitude 2hours
	Environmentally Friendly	ROHS Compliant

Radiation Pattern

