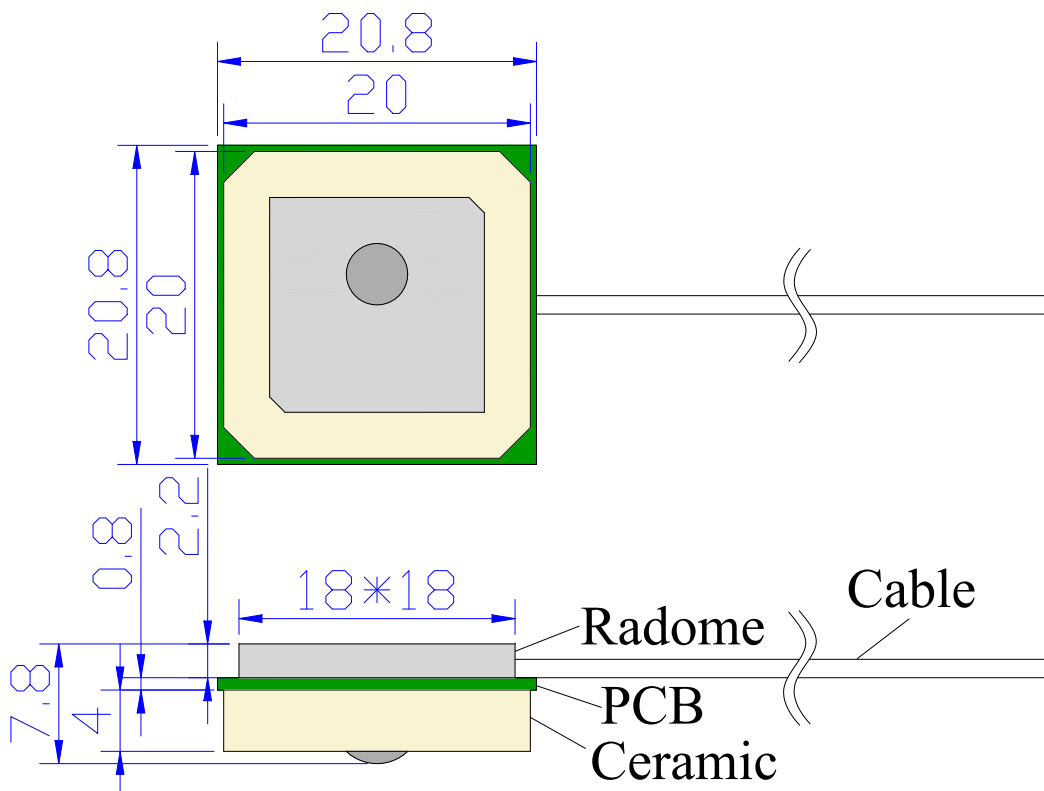


GPS Internal Active Antenna JCN049



DIMENSIONS



JIAXING JINCHANG ELECTRONIC TECHNOLOGY CO.,LTD

Add: 398#, Zhenye Road, South Street, Jiaxing, Zhejiang, China

Http:// www.jinchanggps.com

E-mail: jcgps@vip.163.com

Tel: 86-0573-83692157/83692605/83958637 Fax: 86-0573-83958635

SPECIFICATIONS

Item		Specifications
Antenna	Center Frequency	1575.42 ± 3MHz
	Band Width	CF ± 5MHz
	Polarization	RHCP
	Gain	2.5dBic (Zenith)
	V.S.W.R	<1.5
	Impedance	50 Ω
	Dimension	20*20*4mm
LNA	Gain	26 ± 2dB
	Noise Figure	<1.5dB
	Ex-band Attenuation	30dB@CF ± 40MHz
	Supply Voltage	3~3.6V DC
	Current Consumption	5~10mA
	V.S.W.R	<2.0 (min)
Mechanical	Cable	RF1.13 or others
	Connector	IPEX or others
Environmental	Operating Temperature	-40°C~+85°C
	Relative Humidity	Up to 75%
	Vibration	10 to 55Hz with 1.5mm amplitude 2hours
	Environmentally Friendly	ROHS Compliant

Radiation Pattern

